

Limit switch boxes SRBC

FESTO



Festo Core Range
Solves the majority of your automation tasks

With the Festo Core Range, we have selected the most important products and functions from our broad product catalogue, and added the quickest delivery.

Worldwide: Quickest delivery – wherever, whenever
Simply good: Expected high Festo quality
Fast: Easy and fast to select

The Core Range offers you the best value for your automation tasks.

Just look
for the
star!

Key features and product range overview

Function

Limit switch boxes SRBC are used for electrical feedback and control of the position of process valves actuated using pneumatic quarter turn actuators. They can be mounted quickly and easily on quarter turn actuators with a connection

pattern to VDI/VDE 3845 using mounting adapters. The sturdy design of the limit switch box SRBC is ideal for the harsh conditions in process automation.

Innovative

- Pre-assembled mounting adapter for ease of installation
- The trip cams can be easily set without additional tools
- Sturdy, corrosion-resistant design, ideal for use in harsh operating conditions
- Clearly visible 3D position indicator enables the current position of the quarter turn actuator to be quickly detected

Flexible

- Weather-tight housing for outdoor applications too
- Mechanical, inductive or magnetic switch variants for virtually all areas of application
- Intrinsically safe variants for use in potentially explosive areas
- Two cable inputs for common power supply for the limit switch box and solenoid valve as standard

Design

- Sturdy aluminium housing with two cable inputs M20x1.5
- Captive stainless steel screws on the housing cover
- Pre-assembled stainless steel mounting adapter 80x30 in heights 20 and 30 mm for ease of mounting on valve actuators to VDI/VDE 3845
- Cable connector and blanking plug in variants SRBC-CA3-... and SRBC-CA4-... included in the scope of delivery
- 3D OPEN/CLOSED position indicator
- Mechanical, inductive or magnetic switch variants
- Number of switches: 2
- IP67, NEMA 4/4x
- cCSAus Listed, General Purpose
- ATEX ia version
- SIL2 to IEC 61508

Product range overview



Measuring principle	Type	Operating voltage range	Switching output	Switching element function
Electromechanical	SRBC-...-MW-22A-1W-	0...250 V AC 0...30 V DC	Contacting	Toggle switch, single-pole (SPDT)
Electromechanical	SRBC-...-MW-1-1WG-C2-EX6	0...30 V DC	Contacting (gold)	Toggle switch, single-pole (SPDT)
Magnetic reed	SRBC-...-R-2A-1W-	0...120 V AC 0...175 V DC	Contacting	Toggle switch, single-pole (SPDT)
Inductive	SRBC-...-N-20N-ZC-	8.2 V DC	NAMUR	N/C
Inductive	SRBC-...-N-20N-ZC-...-EX6	8.2 V DC	NAMUR	N/C
Inductive	SRBC-...-N-1-P-	10...30 V DC	PNP	N/O
Inductive	SRBC-...-N-1-N-	10...30 V DC	NPN	N/O
Inductive	SRBC-...-N-1-ZU-	5...60 V DC	Contactless, 2-wire	N/O

Type codes

001	Series
SRBC	Limit switch attachment

002	Design type
C	Sensor box

003	Mechanical interface
A3	Mounting bridge, hole pattern 30 x 80 mm, shaft height 20 mm
A4	Flexible mounting adapter
A5	EN ISO 5211 / F05

004	Display type
YR	Position indicator yellow/red

005	Measuring range
90	0 ... 90°

006	Sensor principle
MW	Floating contact, changeover contact
N	Proximity sensor, inductive
R	With contacts (reed)

007	Nominal operating voltage
1	24 V DC
2A	110 V AC/50-60 Hz
20N	8.2 V DC (Namur)
22A	250 V AC

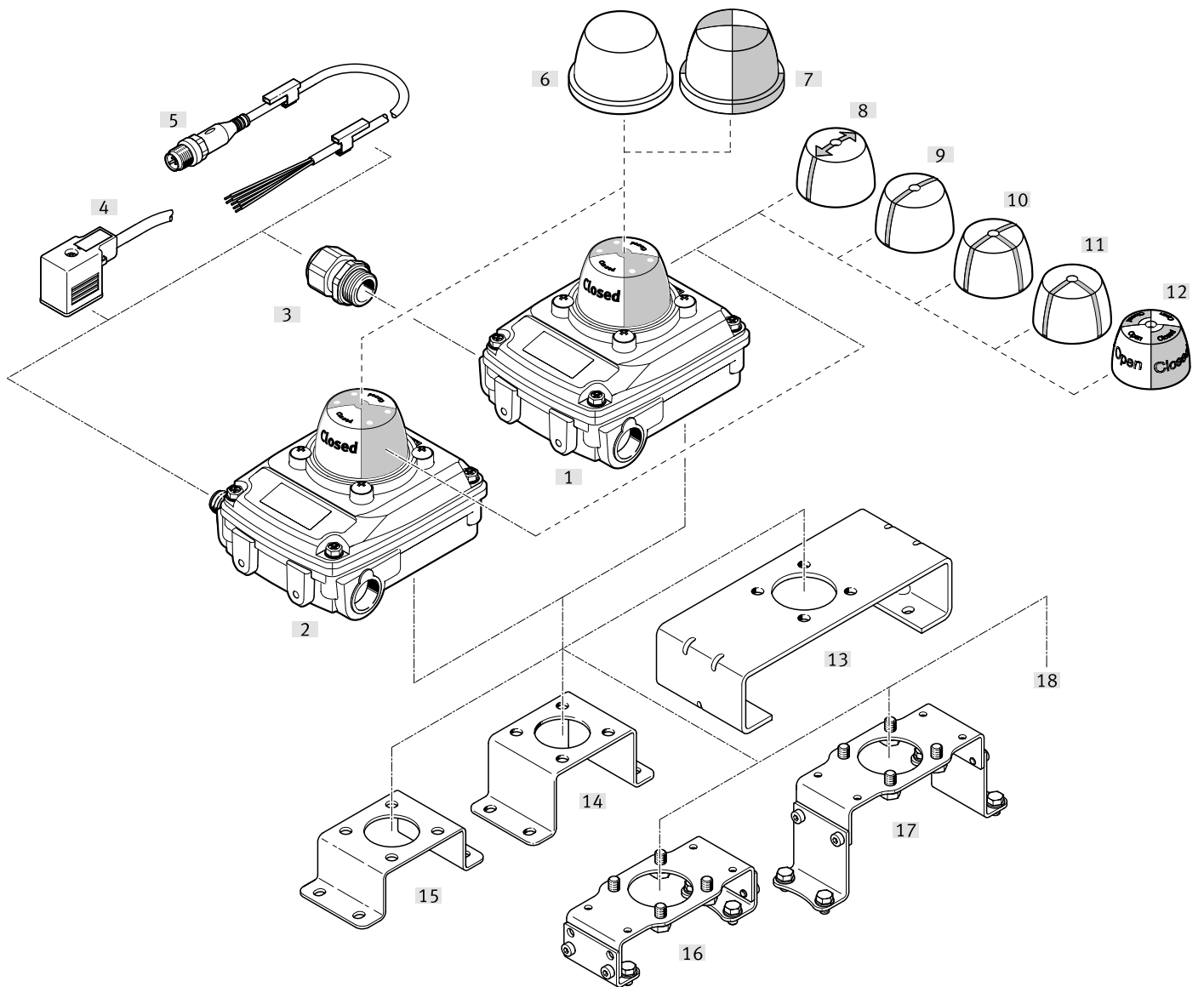
008	Electrical output 1
N	NPN
P	PNP
1W	1-pin toggle switch
1WG	
ZC	2-wire N/C contact
ZU	2-wire N/O contact

009	Electrical connection
C2	Screw terminal
M12	Plug M12, A-coded

010	Cable connector
	Without
P20	M20x1.5, polymer

011	EU certification
	None
EX6	II 1GD

Peripherals overview



Peripherals overview

Accessories	Description	→ Page
[1] Limit switch boxes SRBC-...	<ul style="list-style-type: none"> • Electromechanical and magnetic reed • Inductive 	6 14
[2] Limit switch boxes SRBC...-M12	<ul style="list-style-type: none"> • Electrical connection M12 plug, A-coded 	6
[3] Cable connector NETC-P-M20	<ul style="list-style-type: none"> • For limit switch box variants SRBC-...-M12-... • Polymer cable connector M20x1.5 included in the scope of delivery of the limit switch box • Other cable connectors can be ordered separately as an accessory 	25
[4] Connecting cables NEBV	<ul style="list-style-type: none"> • For valve connection for limit switch boxes with terminal rail connection • Angled socket, plug pattern type A, EN 175301-803 or plug pattern type B to industry standard 11 mm • Can be ordered separately as an accessory 	25
[5] Connecting cables NEBU	<ul style="list-style-type: none"> • For valve connection for limit switch boxes with terminal rail connection • Angled socket, plug pattern type B, to industry standard 11 mm • Can be ordered separately as an accessory 	25
[6] Protective cap SACC-S4-TT	<ul style="list-style-type: none"> • Is mounted on the SBRC and protects the position indicator SASF 	25
[7] Protective cap SACC-S4-T	<ul style="list-style-type: none"> • Is mounted on the SBRC and protects the position indicator SASF 	25
[8] Position indicator SASF-S4-DE-A1	<ul style="list-style-type: none"> • Arrow, 180° 	25
[9] Position indicator SASF-S4-DE-A2	<ul style="list-style-type: none"> • I-version 	25
[10] Position indicator SASF-S4-DE-A3	<ul style="list-style-type: none"> • T-version 	25
[11] Position indicator SASF-S4-DE-A4	<ul style="list-style-type: none"> • L-version 	25
[12] Position indicator SASF-S4-DE	<ul style="list-style-type: none"> • Yellow/red 	25
[13] Mounting adapter DARQ-K-X1-A2-F05-30-R1	<ul style="list-style-type: none"> • Mounting adapter for mounting limit switch boxes on quarter turn actuators with hole pattern 30x130 mm, shaft height 30 mm • Can be ordered separately as an accessory 	22
[14] Mounting adapter DARQ-K-X1-A1-F05-30-R1	<ul style="list-style-type: none"> • Mounting adapter for mounting limit switch boxes on quarter turn actuators with hole pattern 30x80 mm, shaft height 30 mm • Can be ordered separately as an accessory 	21
[15] Mounting adapter DARQ-K-X1-A1-F05-20-R1	<ul style="list-style-type: none"> • For limit switch box variants SRBC-CA3-... included in the scope of delivery and pre-assembled • Mounting adapter for mounting limit switch boxes on quarter turn actuators with hole pattern 30x80 mm, shaft height 20 mm 	21
[16] Mounting adapter DARQ-K-X1-A3-F05-20-R1	<ul style="list-style-type: none"> • For limit switch box variants SRBC-CA4-... included in the scope of delivery and pre-assembled • Mounting adapter for mounting limit switch boxes on quarter turn actuators with hole pattern 30x80 mm or 30x130 mm, shaft height 20 mm 	23
[17] Mounting adapter DARQ-K-X1-A3-F05-50-R1	<ul style="list-style-type: none"> • Mounting adapter for mounting limit switch boxes on quarter turn actuators with hole pattern 30x80 mm or 30x130 mm, shaft height 50 mm • Can be ordered separately as an accessory 	24
[18] Mechanical interface to ISO 5211/flange hole pattern F05	<ul style="list-style-type: none"> • For limit switch box variants SRBC-CA5-... • Electrical connection: screw terminal • Without cable connector and blanking plug • Without pre-assembled mounting adapter 	6 14

Datasheet

- Measuring principle: electromagnetic or magnetic reed
- Switching element function: toggle switch, single-pole (SPDT)
- For DC and AC voltage
- Choose between
 - pre-assembled fixed mounting adapter
 - pre-assembled flexible mounting adapter
 - Without mounting adapter
 - With and without cable connector
 - With M12 plug



General technical data SRBC, electromechanical and magnetic reed

Sensor principle	Floating contact, changeover switch	Contacting (reed)
Dimensions W x L x H	114 mm x 98 mm x 122 mm 127 mm x 111 mm x 122 mm 127 mm x 98 mm x 122 mm	127 mm x 98 mm x 122 mm
Setting range for angular detection	0 ... 90 deg	
Position indicator	Yellow/red	
Housing colour	Grey	
Connection point for positioner and position sensor conforms to standard	VDI/VDE 3845 size AA 1 VDI/VDE 3845 size AA 2 VDI/VDE 3845 size AA 3	VDI/VDE 3845 size AA 1
Mounting position	Any	
Type of mounting	On flange to ISO 5211	–

Electrical characteristic data SRBC, electromechanical and magnetic reed

Sensor principle	Floating contact, changeover switch	Contacting (reed)
Measuring principle	Mechanical/electrical	Magnetic reed
Switching output	Contacting, contacting (gold)	Contacting
Switching element function	Toggle switch, single-pole	
Operating voltage range AC	0 ... 250 V	0 ... 120 V
Max. output current AC	3,000 A	0.180 A
Operating voltage range DC	0 ... 30 V	0 ... 175 V
Max. output current DC	2,000 ... 3.000 A, 100 mA	0.250 A
Max. input voltage U_i	30	–
Effective internal inductance L_i	Negligibly low	–
Effective internal capacitance C_i	Negligibly low	–
Max. input parameters for intrinsically safe circuit	See IECEx certificate See ATEX certificate	–
Certificate-issuing authority	FTZU 17 ATEX 0105X GYJ20.1409X IECEX FTZU 17.0017X	–

Datasheet

Electromechanical data SRBC, electromechanical

Sensor principle	Floating contact, changeover switch		
EU certification	None		II 1GD
Cable connector	M20x1.5		
Approved cable diameter	5 ... 13 mm		6 ... 12 mm
Electrical connection	M12, screw terminal	Screw terminal	
Electrical connection 1, connection type	Terminal strip, plug	Terminal strip	
Electrical connection 1, cable outlet	Straight		
Electrical connection 1, design	Round	-	
Electrical connection 1, connection technology	Spring-loaded terminal, M12x1 A-coded to EN 61076-2-101	Spring-loaded terminal	
Electrical connection 1, number of pins/wires	8, 10	10	
Connectable conductor nominal cross section	0.25 ... 2.5 mm ²		
Cable connector material	-	PA	-
Blanking plug material	-	PA	-

Electromechanical data SRBC, magnetic reed

Sensor principle	Contacting (reed)		
Cable connector	M20x1.5		
Approved cable diameter	5 ... 13 mm		
Electrical connection	Screw terminal		
Electrical connection 1, connection type	Terminal strip		
Electrical connection 1, cable outlet	Straight		
Electrical connection 1, connection technology	Spring-loaded terminal		
Electrical connection 1, number of pins/wires	10		
Connectable conductor nominal cross section	0.25 ... 2.5 mm ²		
Cable connector material	PA		
Blanking plug material	PA		

Datasheet

Operating and environmental conditions SRBC, electromechanical and magnetic reed

Switching output	Contacting	Contacting (gold)
Ambient temperature	-20 ... 80°C	-40 ... 80°C
Storage temperature	-20 ... 50°C	
Degree of protection	IP67 NEMA 4/4X	IP66
Shock resistance ²⁾	Shock test with severity level 2 to FN 942017-5 and EN 60068-2-27	
Vibration resistance ²⁾	Transport application test with severity level 2 to FN 942017-4 and EN 60068-2-6	
Corrosion resistance class CRC	0 - no corrosion stress	
Pollution degree	3	
Safety integrity level (SIL)	SIL 2	
CE marking (see declaration of conformity) ¹⁾	To EU Low Voltage Directive To EU RoHS Directive	To EU Explosion Protection Directive (ATEX) To EU RoHS Directive
KC marking	KC EMC	–
Certification	c CSA us (OL)	–
ATEX category for gas	–	II 1G
Type of (ignition) protection for gas	–	Ex ia IIC T6/T5 Ga
ATEX category for dust	–	II 1D
Type of (ignition) protection for dust	–	Ex ia IIIC Txx°C Da
Explosion ambient temperature	–	See ATEX certificate See IECEx certificate
Explosion protection certification outside the EU	–	EPL Da (CN) EPL Da (IEC-Ex) EPL Ga (CN) EPL Ga (IEC Ex)

1) Additional information www.festo.com/sp Certificates.

2) Only for mechanical interface SRBC-CA3-...

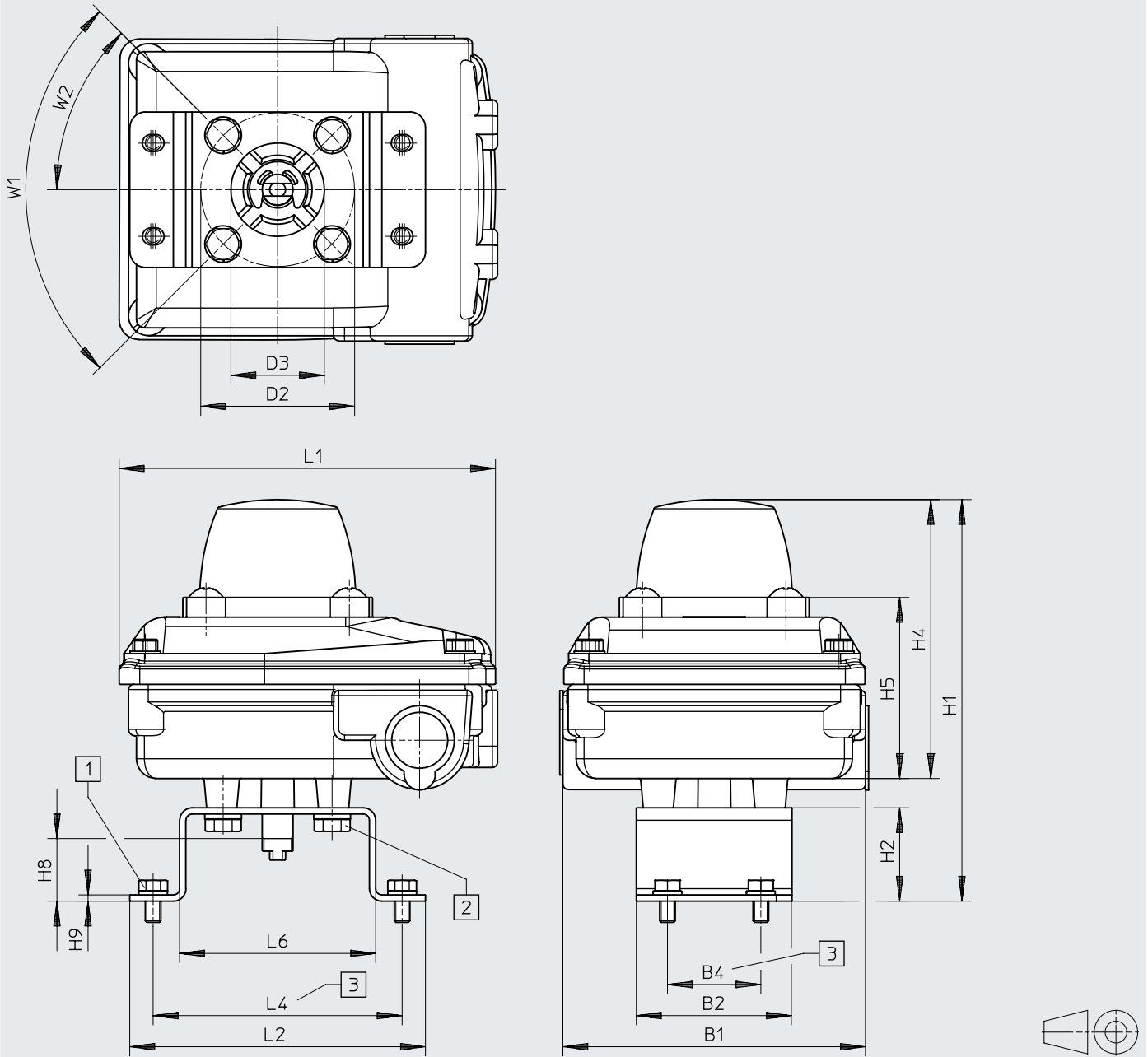
Materials SRBC, electromechanical and magnetic reed

Switching output	Contacting	Contacting (gold)
Housing material	Die-cast aluminium	
Cover cap material	PC	
Mounting bracket material	High-alloy stainless steel	
Shaft material	High-alloy stainless steel	
Circlip material	High-alloy stainless steel	
Disc material	High-alloy stainless steel	
Screw material	High-alloy stainless steel	
Sealing material	NBR	VMQ (silicone)
Pointer material	PC	–
Note on materials	RoHS-compliant	
LABS (PWIS) conformity	VDMA24364 zone III	

Datasheet

Dimensions

Download CAD data → www.festo.com



- [1] Screw ISO 4017 M5x8
- [2] Screw DIN 933 M6x10
- [3] Hole pattern to VDI/VDE 3845

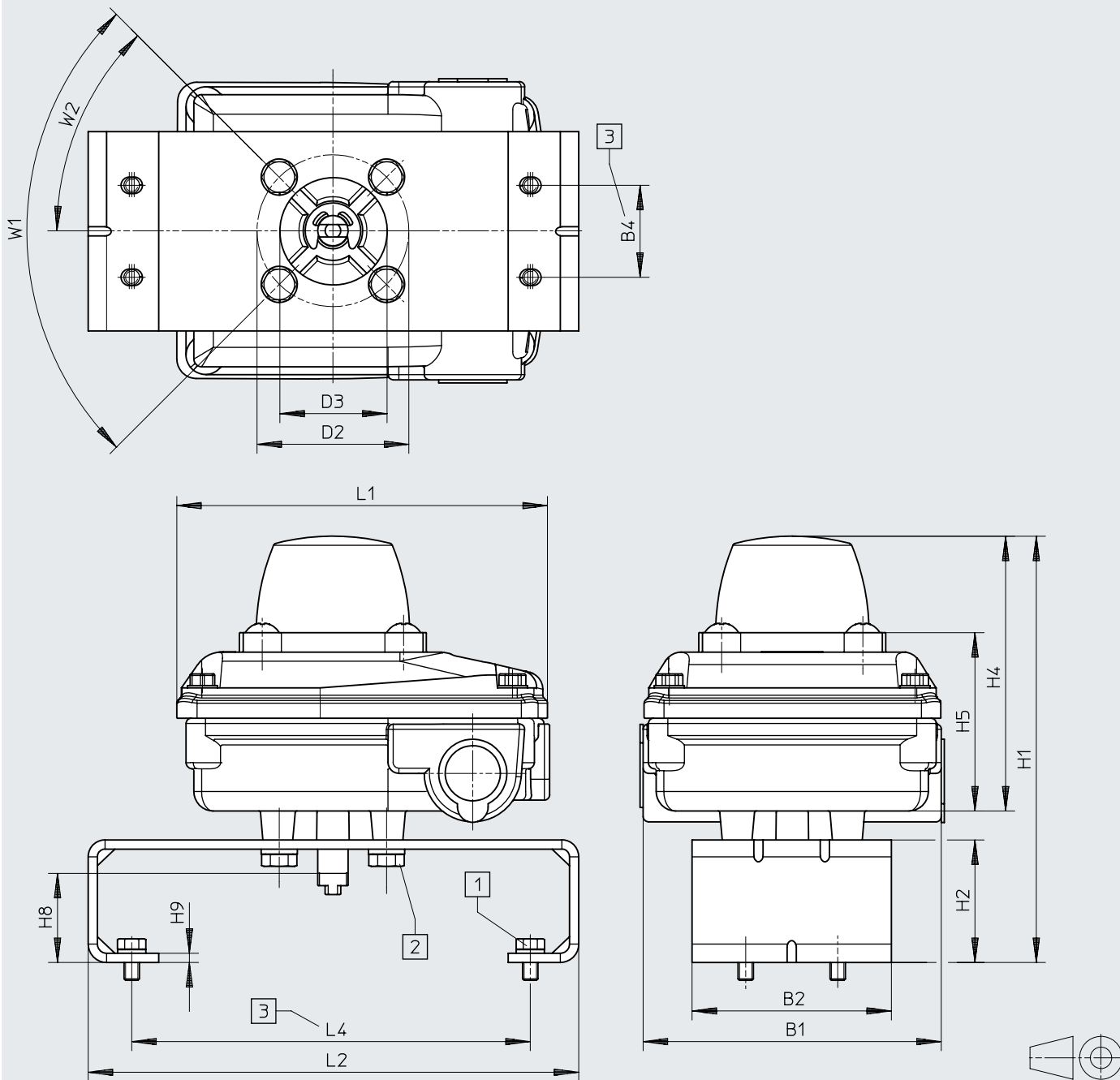
SRBC	B1	B2	B4	D2 ∅	D3 ∅	H1	H2 +0,5	H4
With DARQ-K-X1-A1-F05-20-R1	98	50	30	50	30	129	30	90
With DARQ-K-X1-A1-F05-30-R1						139	40	

SRBC	H5	H8	H9	L1	L2	L4	L6	W1	W2
With DARQ-K-X1-A1-F05-20-R1	58.2	20	2	120	95	80	63	90°	45°
With DARQ-K-X1-A1-F05-30-R1		30							

Datasheet

Dimensions

Download CAD data → www.festo.com



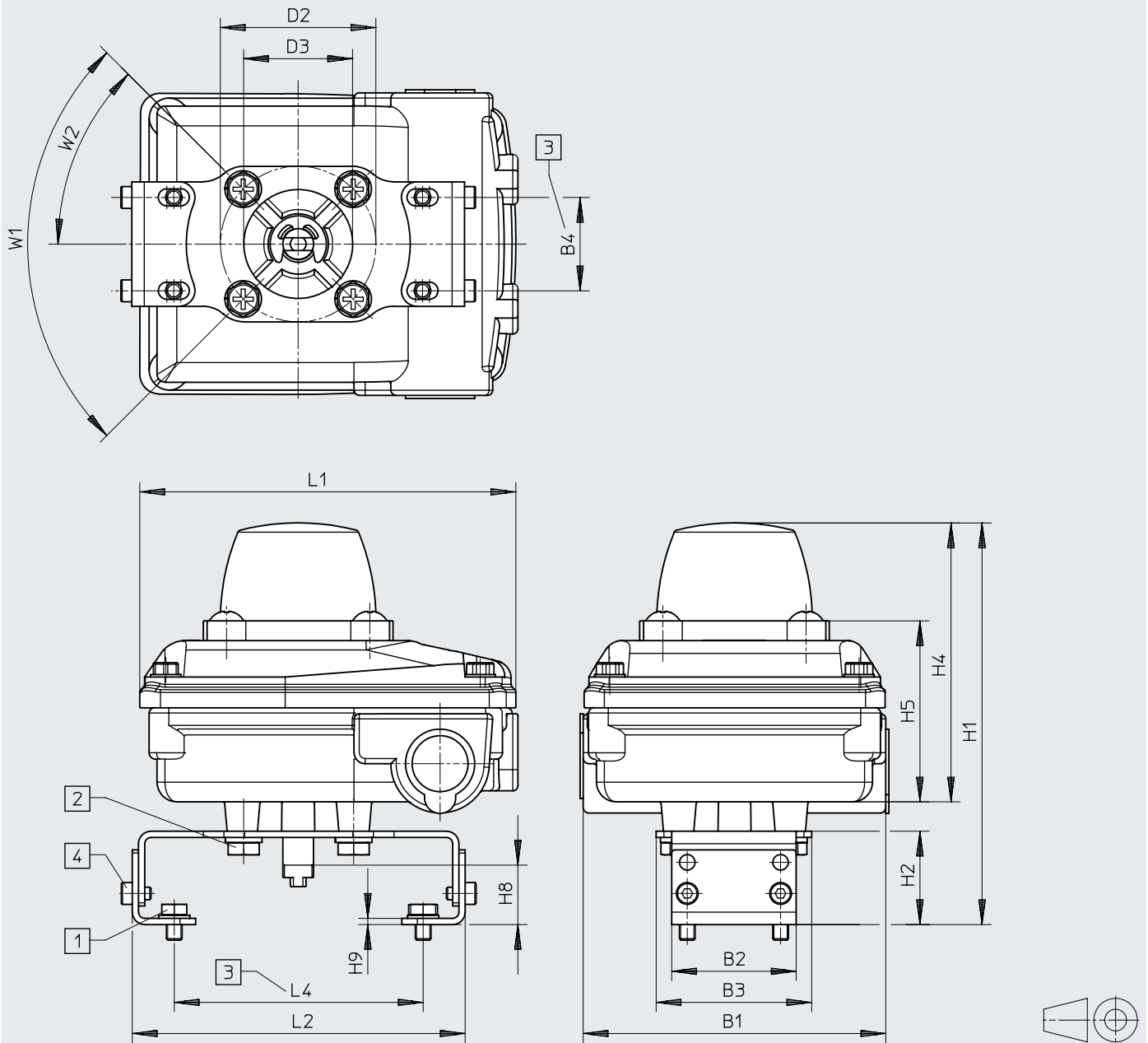
- [1] Screw ISO 4017 M5x8
- [2] Screw GB9074.12 M6x10
- [3] Hole pattern to VDI/VDE 3845

SRBC	B1	B2	B4	D2 ∅	D3 ∅	H1	H2 +0.5	H4	H5	H8	H9	L1	L2	L4	W1	W2
With DARQ-K-X1-A2-F05-30-R1	98	65	30	50	35	139	40	90	58.2	30	3	120	160	130	90°	45°

Datasheet

Dimensions

Download CAD data → www.festo.com



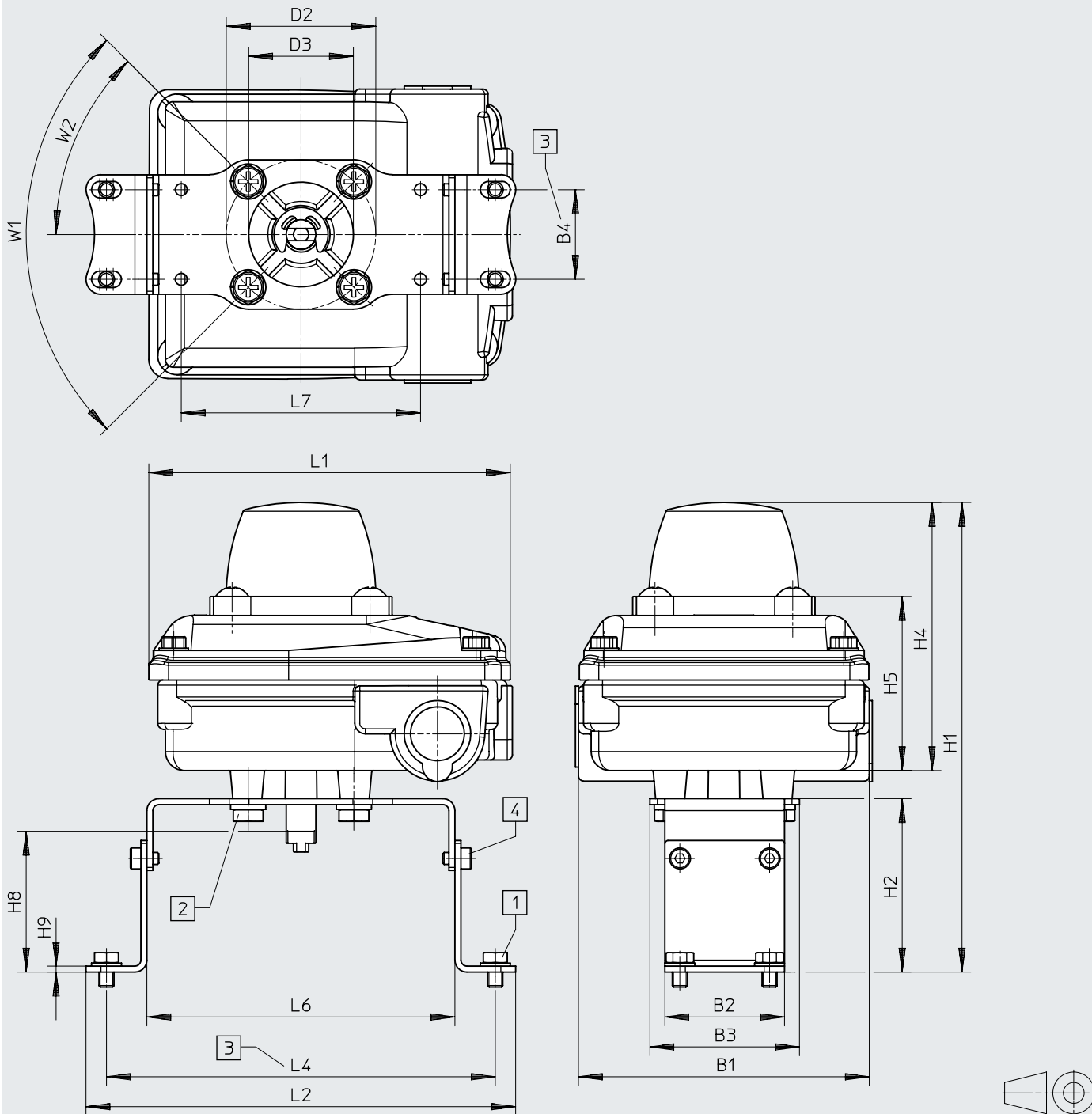
- [1] Screw ISO 4017 M5x8
- [2] Screw GB9074.12 M6x10
- [3] Hole pattern to VDI/VDE 3845
- [4] Screw ISO 4762 M4x6

SRBC	B1	B2	B3	B4	D2 ∅	D3 ∅	H1	H2 +0.5	H4	H5	H8 +0.5	H9	L1	L2	L4	W1	W2
With DARQ-K-X1-A3-F05-20-R1	98	40	50	30	50	35	129	30	90	58.2	19.1	2	120	107	80	90°	45°

Datasheet

Dimensions

Download CAD data → www.festo.com








- [1] Screw ISO 4017 M5x8
- [2] Screw GB9074.12 M6x10
- [3] Hole pattern to VDI/VDE 3845
- [4] Screw ISO 4762 M4x6

SRBC	B1	B2	B3	B4	D2 ∅	D3 ∅	H1	H2 +0.5	H4	H5	H8 +0.5	H9	L1	L2	L4	L6	L7	W1	W2
With DARQ-K-X1-A3-F05-50-R1	98	40	50	30	50	35	157	58	90	58.2	47.1	2	120	143.7	130	103	80	90°	45°

Datasheet

★ Core Range

Ordering data	Description	Dimensions of pre-assembled mounting adapter [mm]	Weight [g]	Part no.	Type
	Cable connector and blanking plug included in the scope of delivery	30x80 mm, height 20 mm	800	★ 3482805	SRBC-CA3-YR90-MW-22A-1W-C2P20

Ordering data	Description	Dimensions of pre-assembled mounting adapter [mm]	Weight [g]	Part no.	Type
	Cable connector and blanking plug included in the scope of delivery	30x80 mm, height 20 mm	800	3482811	SRBC-CA3-YR90-R-2A-1W-C2P20
	Cable connector and blanking plug not included in the scope of delivery	30x80 mm, height 20 mm		8137098	SRBC-CA3-YR90-MW-1-1W-M12
				8137099	SRBC-CA3-YR90-MW-1-1WG-M12
				8137093	SRBC-CA3-YR90-MW-1-1WG-C2-EX6
	Cable connector and blanking plug not included in the scope of delivery	30x80 mm or 30x130 mm, height 20 mm in each case		8137094	SRBC-CA4-YR90-MW-22A-1W-C2
				8137102	SRBC-CA4-YR90-MW-1-1W-M12
				8137095	SRBC-CA4-YR90-MW-1-1WG-C2-EX6
	Cable connector and blanking plug not included in the scope of delivery	Pre-assembled mounting adapter not included in the scope of delivery		8137103	SRBC-CA5-YR90-MW-22A-1W-C2
				8137104	SRBC-CA5-YR90-MW-1-1WG-C2-EX6

Datasheet

- Inductive measuring principle
- Switching outputs PNP, NPN, 2-wire DC, NAMUR
- Choose between
 - pre-assembled fixed mounting adapter
 - pre-assembled flexible mounting adapter
 - Without mounting adapter
 - With and without cable connector
 - With M12 plug



General technical data SRBC, inductive

Electrical output 1	NPN	PNP	2-wire N/C	2-wire N/O
Dimensions W x L x H	127 mm x 98 mm x 122 mm	114 mm x 98 mm x 122 mm, 127 mm x 111 mm x 122 mm, 127 mm x 98 mm x 122 mm		127 mm x 98 mm x 122 mm
Setting range for angular detection	0 ... 90 deg			
Position indicator	Yellow/red			
Housing colour	Grey			
Connection point for positioner and position sensor conforms to standard	VDI/VDE 3845 size AA 1	VDI/VDE 3845 size AA 1 VDI/VDE 3845 size AA 2 VDI/VDE 3845 size AA 3		VDI/VDE 3845 size AA 1
Mounting position	Any			
Type of mounting	–	On flange to ISO 5211		–

Electrical characteristic data SRBC, inductive

Switching output	NAMUR	NPN	PNP	Contactless, 2-wire
Measuring principle	Inductive			
Switching element function	N/C		N/O	
Max. switching frequency	2000		1000	2000
Operating voltage range DC	8.2 V		10 ... 30 V	5 ... 60 V
Max. input voltage U _i	–	16 V	–	–
Max. output current DC	3 mA		100 mA	
Voltage drop	–	3 V	≤3 V	4 V
No-load current	–	15 mA	≤15 mA	–
Residual current	–	0 ... 0.5 mA	–	0 ... 1 mA
Minimum load current	–	–	–	4 mA
Effective internal inductance L _i	–	100 μH	–	–
Effective internal capacitance C _i	–	100 nF	–	–
Max. input parameters for intrinsically safe circuit ¹⁾	–	See IECEx certificate See ATEX certificate	–	–
Certificate-issuing authority	–	FTZU 17 ATEX 0105X GYJ20.1409X IECEx FTZU 17.0017X	–	–
Reverse polarity protection	–	–	For all electrical connections	
Short circuit current rating	–	–	Clocked	–

1) Additional information www.festo.com/sp Certificates.

Datasheet

Electromechanical data SRBC, inductive

Switching output	NAMUR	NPN	PNP	Contactless, 2-wire
Cable connector	M20x1.5			
Approved cable diameter	5 ... 13 mm			
Electrical connection	M12 Screw terminal	Screw terminal	M12 Screw terminal	Screw terminal
Connectable conductor nominal cross section	0.25 ... 2.5 mm ²			
Cable connector material	PA			
Blanking plug material	PA			

Operating and environmental conditions SRBC, inductive

Switching output	NAMUR	NPN	PNP	Contactless, 2-wire
Ambient temperature	-20 ... 80°C	-20 ... 70°C	-20 ... 80°C	
Storage temperature	-20 ... 50°C			
Degree of protection	IP67 NEMA 4/4X			
Shock resistance ²⁾	Shock test with severity level 2 to FN 942017-5 and EN 60068-2-27			
Vibration resistance ²⁾	Transport application test with severity level 2 to FN 942017-4 and EN 60068-2-6			
Corrosion resistance class CRC	0 - no corrosion stress			
Pollution degree	3			
CE marking (see declaration of conformity) ¹⁾	To EU EMC Directive To EU Explosion Protection Directive (ATEX) To EU RoHS Directive	To EU EMC Directive To EU RoHS Directive		
Certification	RCM c CSA us (OL)			
KC marking	KC EMC			
ATEX category for gas	II 1G	-		
Type of (ignition) protection for gas	Ex ia IIC T6/T5 Ga	-		
ATEX category for dust	II 1D	-		
Type of (ignition) protection for dust	Ex ia IIIC Txx°C Da	-		
Explosion ambient temperature	See ATEX certificate See IECEx certificate	-		
Explosion protection certification outside the EU	EPL Da (CN) EPL Da (IEC-Ex) EPL Ga (CN) EPL Ga (IEC Ex)	-		
Safety integrity level (SIL)	SIL 2			

1) Additional information www.festo.com/sp Certificates.

2) Only for mechanical interface SRBC-CA3-...

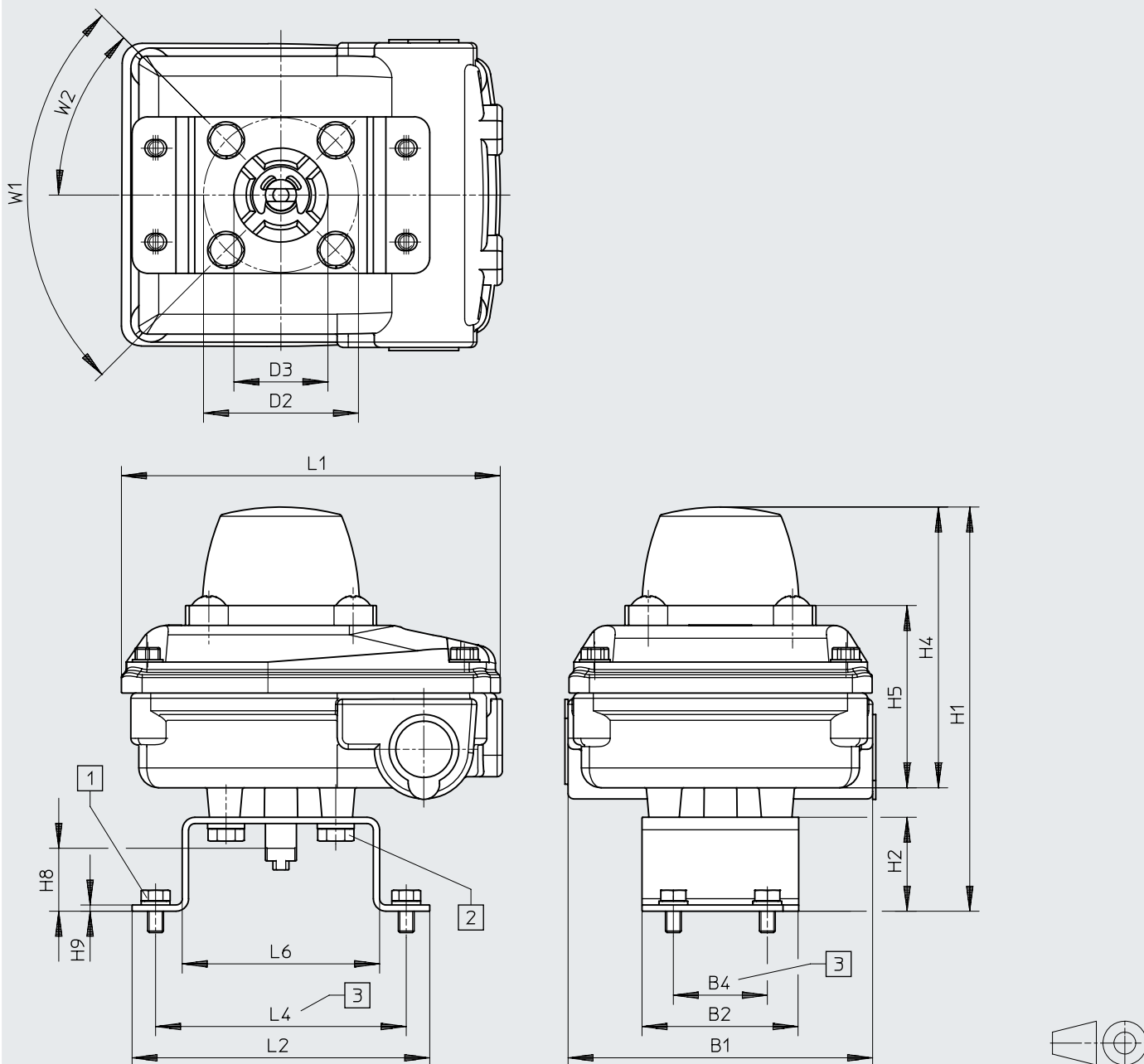
Materials SRBC, inductive

Housing material	Die-cast aluminium
Cover cap material	PC
Mounting bracket material	High-alloy stainless steel
Shaft material	High-alloy stainless steel
Circlip material	High-alloy stainless steel
Disc material	High-alloy stainless steel
Screw material	High-alloy stainless steel
Sealing material	NBR
Pointer material	PC
Note on materials	RoHS-compliant
LABS (PWIS) conformity	VDMA24364 zone III

Datasheet

Dimensions

Download CAD data → www.festo.com



- [1] Screw ISO 4017 M5x8
- [2] Screw GB9074.12 M6x10
- [3] Hole pattern to VDI/VDE 3845

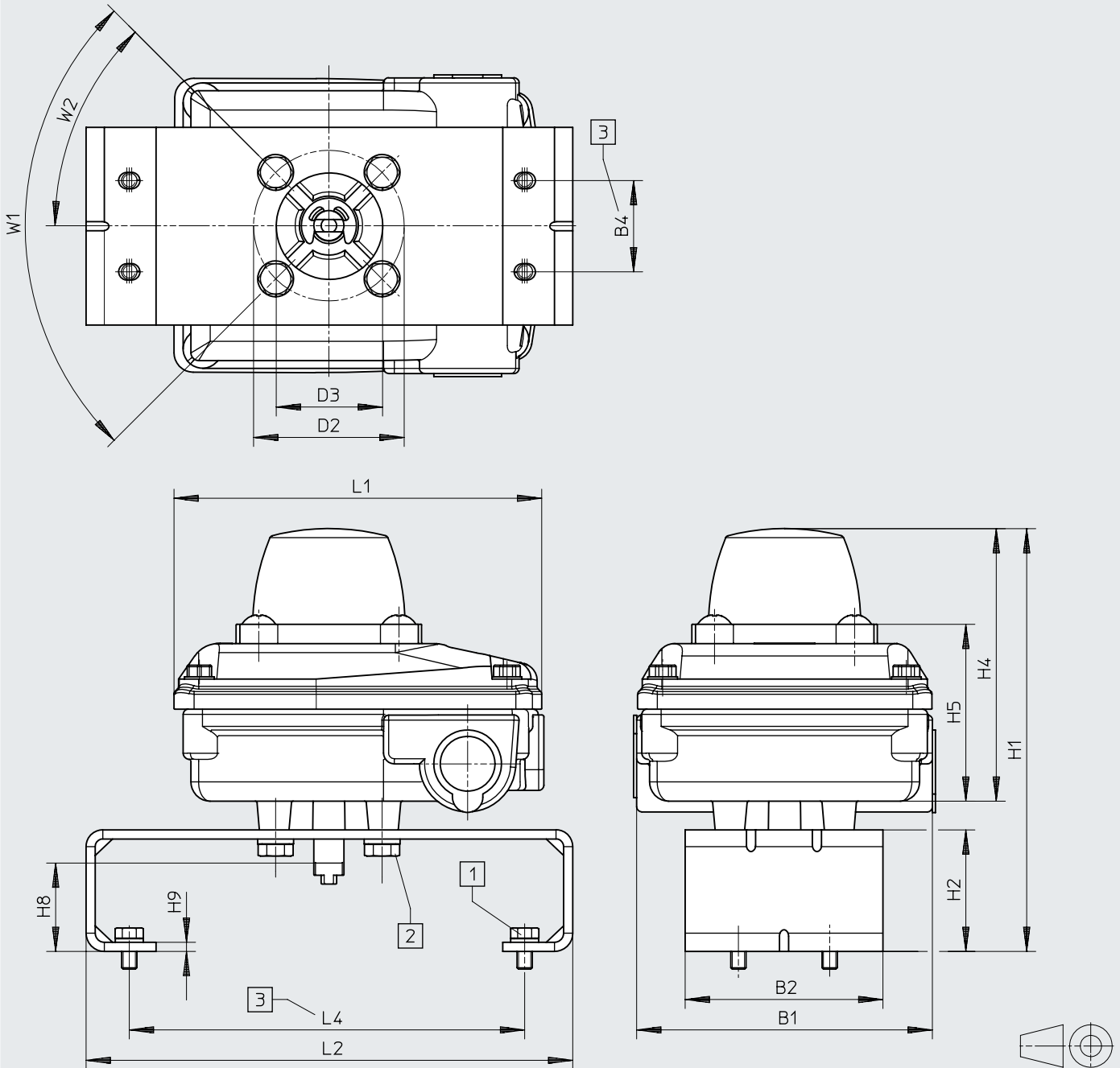
SRBC	B1	B2	B4	D2 ∅	D3 ∅	H1	H2 +0.5	H4
With DARQ-K-X1-A1-F05-20-R1	98	50	30	50	30	129	30	90
With DARQ-K-X1-A1-F05-30-R1						139	40	

SRBC	H5	H8	H9	L1	L2	L4	L6	W1	W2
With DARQ-K-X1-A1-F05-20-R1	58.2	20	2	120	95	80	63	90°	45°
With DARQ-K-X1-A1-F05-30-R1		30							

Datasheet

Dimensions

Download CAD data → www.festo.com



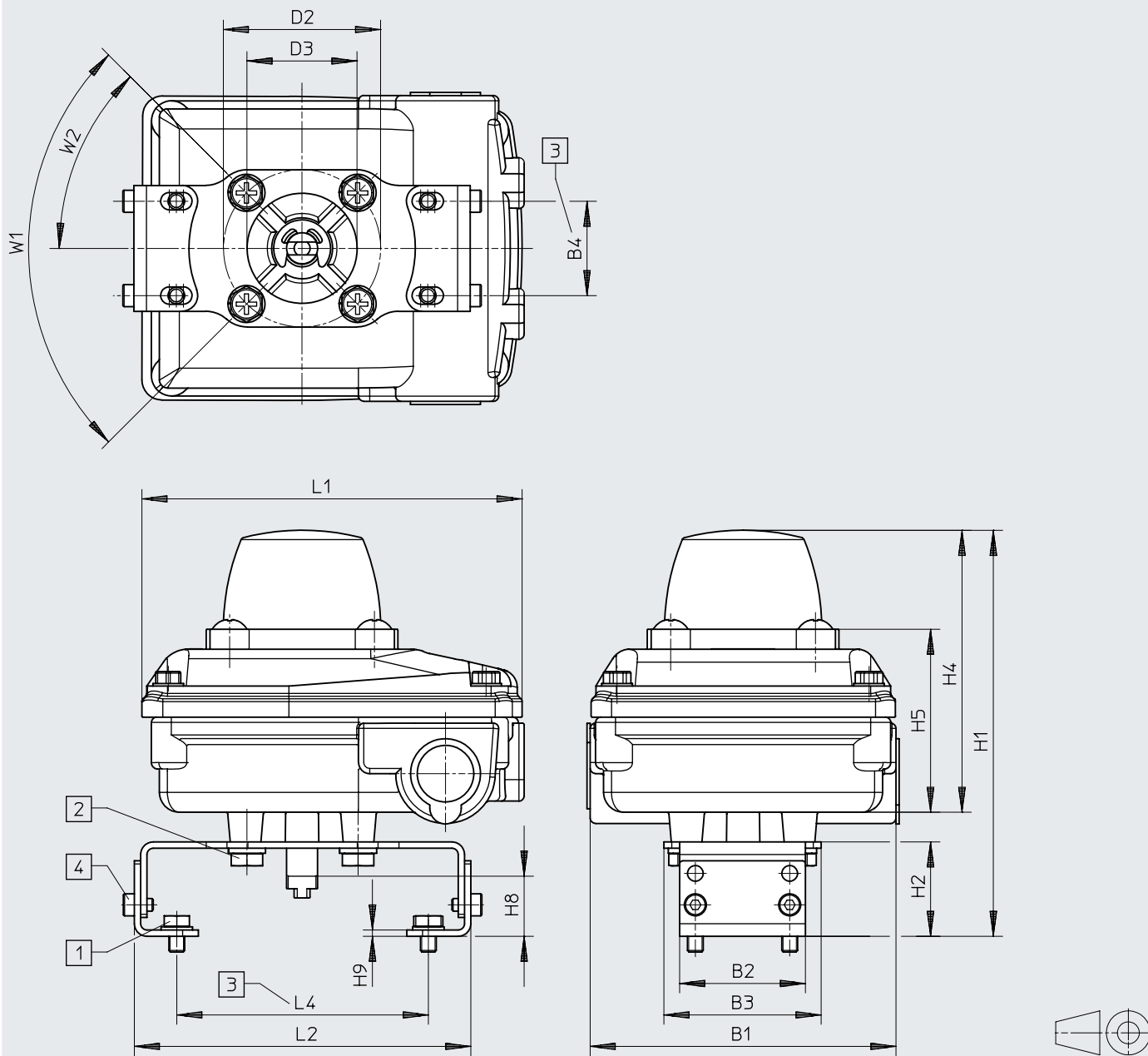
- [1] Screw ISO 4017 M5x8
- [2] Screw GB9074.12 M6x10
- [3] Hole pattern to VDI/VDE 3845

SRBC	B1	B2	B4	D2 ∅	D3 ∅	H1	H2 +0.5	H4	H5	H8	H9	L1	L2	L4	W1	W2
With DARQ-K-X1-A2-F05-30-R1	98	65	30	50	35	139	40	90	58.2	30	3	120	160	130	90°	45°

Datasheet

Dimensions

Download CAD data → www.festo.com



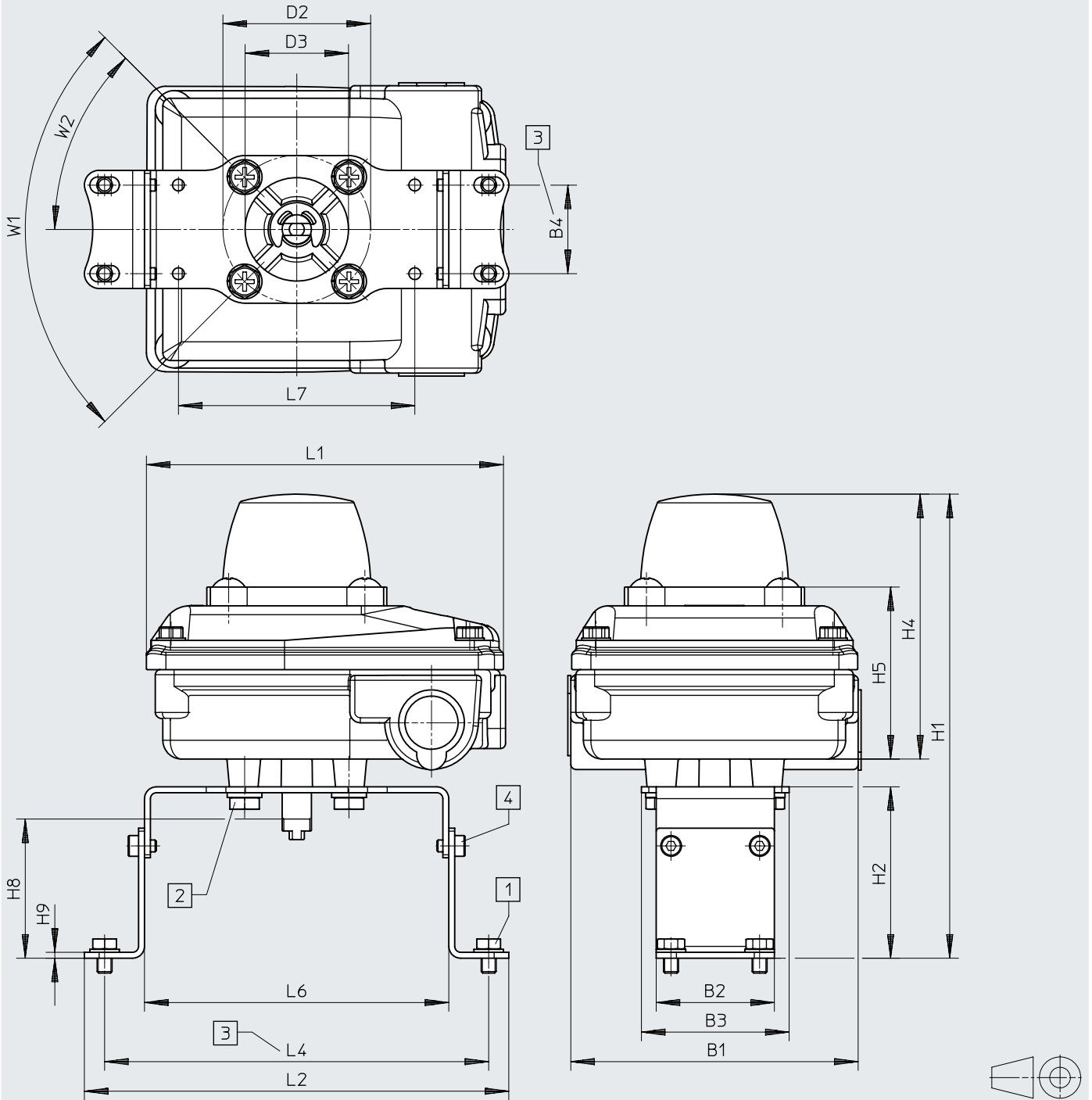
- [1] Screw ISO 4017 M5x8
- [2] Screw GB9074.12 M6x10
- [3] Hole pattern to VDI/VDE 3845
- [4] Screw ISO 4762 M4x6

SRBC	B1	B2	B3	B4	D2 ∅	D3 ∅	H1	H2 +0.5	H4	H5	H8 +0.5	H9	L1	L2	L4	W1	W2
With DARQ-K-X1-A3-F05-20-R1	98	40	50	30	50	35	129	30	90	58.2	19.1	2	120	107	80	90°	45°

Datasheet

Dimensions

Download CAD data → www.festo.com








- [1] Screw ISO 4017 M5x8
- [2] Screw GB9074.12 M6x10
- [3] Hole pattern to VDI/VDE 3845
- [4] Screw ISO 4762 M4x6

SRBC	B1	B2	B3	B4	D2 ∅	D3 ∅	H1	H2 +0.5	H4	H5	H8 +0.5	H9	L1	L2	L4	L6	L7	W1	W2
With DARQ-K-X1-A3-F05-50-R1	98	40	50	30	50	35	157	58	90	58.2	47.1	2	120	143.7	130	103	80	90°	45°

Datasheet

★ Core Range

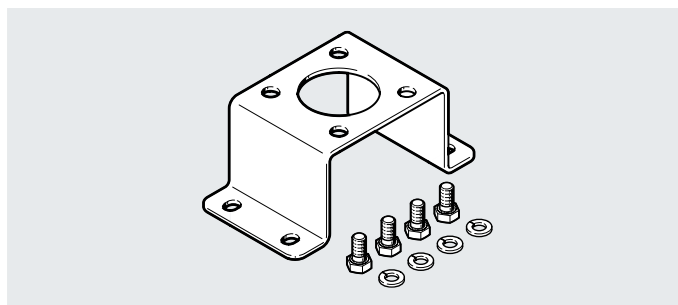
Ordering data	Description	Dimensions of pre-assembled mounting adapter [mm]	Weight [g]	Part no.	Type
	Cable connector and blanking plug included in the scope of delivery	30x80 mm, height 20 mm	800	★ 3482807	SRBC-CA3-YR90-N-20N-ZC-C2P20-EX6
				★ 3482808	SRBC-CA3-YR90-N-1-P-C2P20

Ordering data	Description	Dimensions of pre-assembled mounting adapter [mm]	Weight [g]	Part no.	Type
	Cable connector and blanking plug included in the scope of delivery	30x80 mm, height 20 mm	800	3482806	SRBC-CA3-YR90-N-20N-ZC-C2P20
				3482809	SRBC-CA3-YR90-N-1-N-C2P20
				3482810	SRBC-CA3-YR90-N-1-ZU-C2P20
	Cable connector and blanking plug not included in the scope of delivery	30x80 mm, height 20 mm	800	8137101	SRBC-CA3-YR90-N-1-P-M12
				8137100	SRBC-CA3-YR90-N-20N-ZC-M12
	Cable connector and blanking plug not included in the scope of delivery	30x80 mm or 30x130 mm, height 20 mm in each case	800	8137097	SRBC-CA4-YR90-N-1-P-C2
				8137096	SRBC-CA4-YR90-N-20N-ZC-C2-EX6
	Cable connector and blanking plug not included in the scope of delivery	Pre-assembled mounting adapter not included in the scope of delivery	800	8137106	SRBC-CA5-YR90-N-1-P-C2
				8137105	SRBC-CA5-YR90-N-20N-ZC-C2-EX6

Accessories

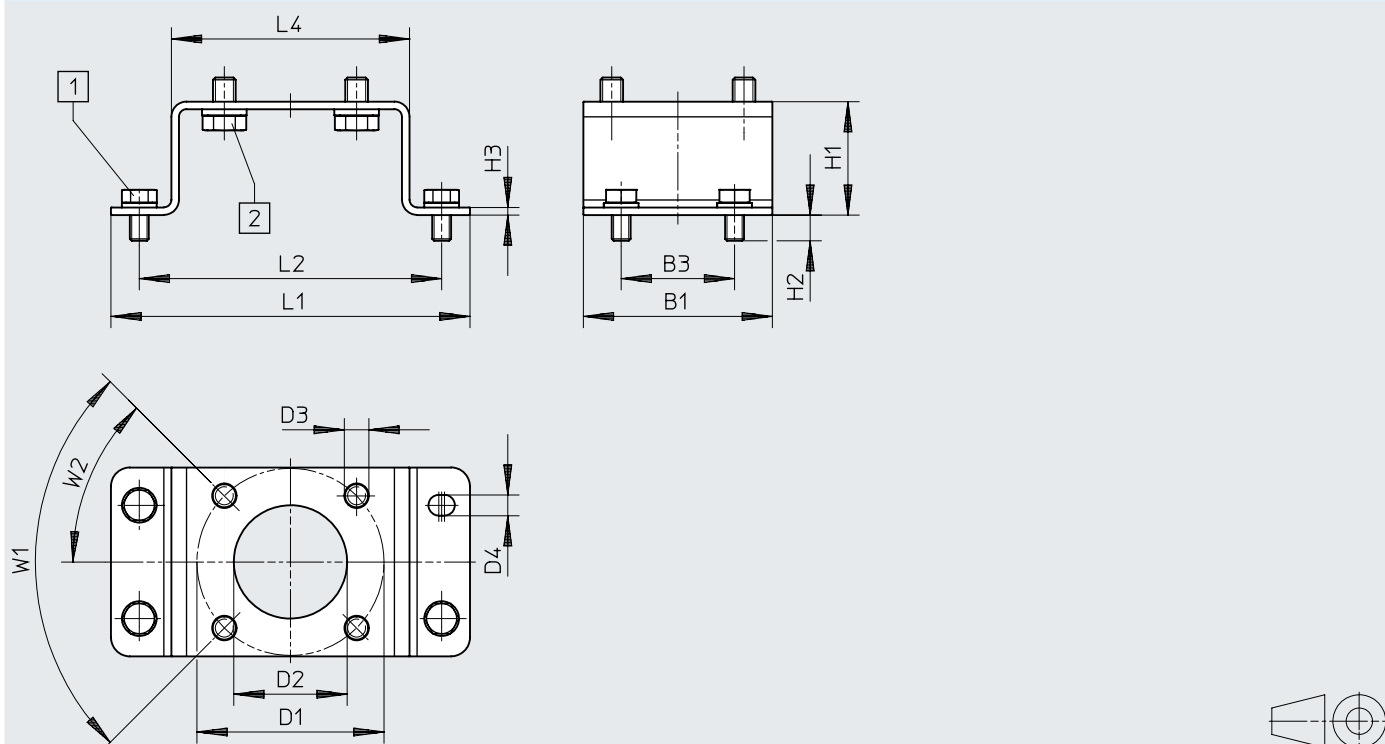
Mounting adapter DARQ-K-X1-A1-...

- Mounting adapter for mounting on standard actuators to VDI/VDE 3845
- Size 30x80, height 20 or 30x80, height 30
- Retaining screws included in the scope of delivery
- Material: High-alloy stainless steel
- LABS (PWIS) conformity: VDMA24364-Zone III, RoHS-compliant



Dimensions

Download CAD data → www.festo.com



- [1] Screw ISO 4017 M5x8
- [2] Screw GB9074.12 M6x10

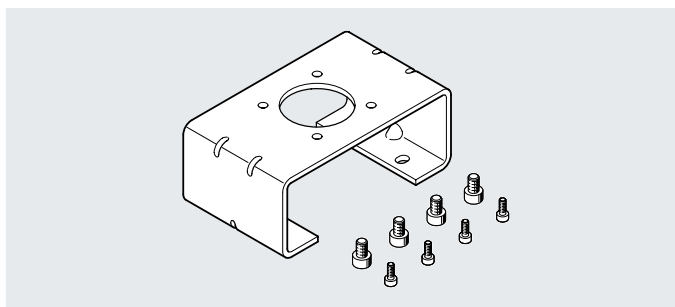
Dimensions and ordering data

B1	B3	D1 ∅	D2 ∅	D3 ∅	D4 ∅	H1 +0.5	H2	H3	L1	L2	L4	W1	W2	Weight [g]	Part no.	Type
50	30	50	30	6.5	5.5	30	6.8	2	95	80	63	90°	45°	113	3636269	DARQ-K-X1-A1-F05-20-R1
						40								129	3636270	DARQ-K-X1-A1-F05-30-R1

Accessories

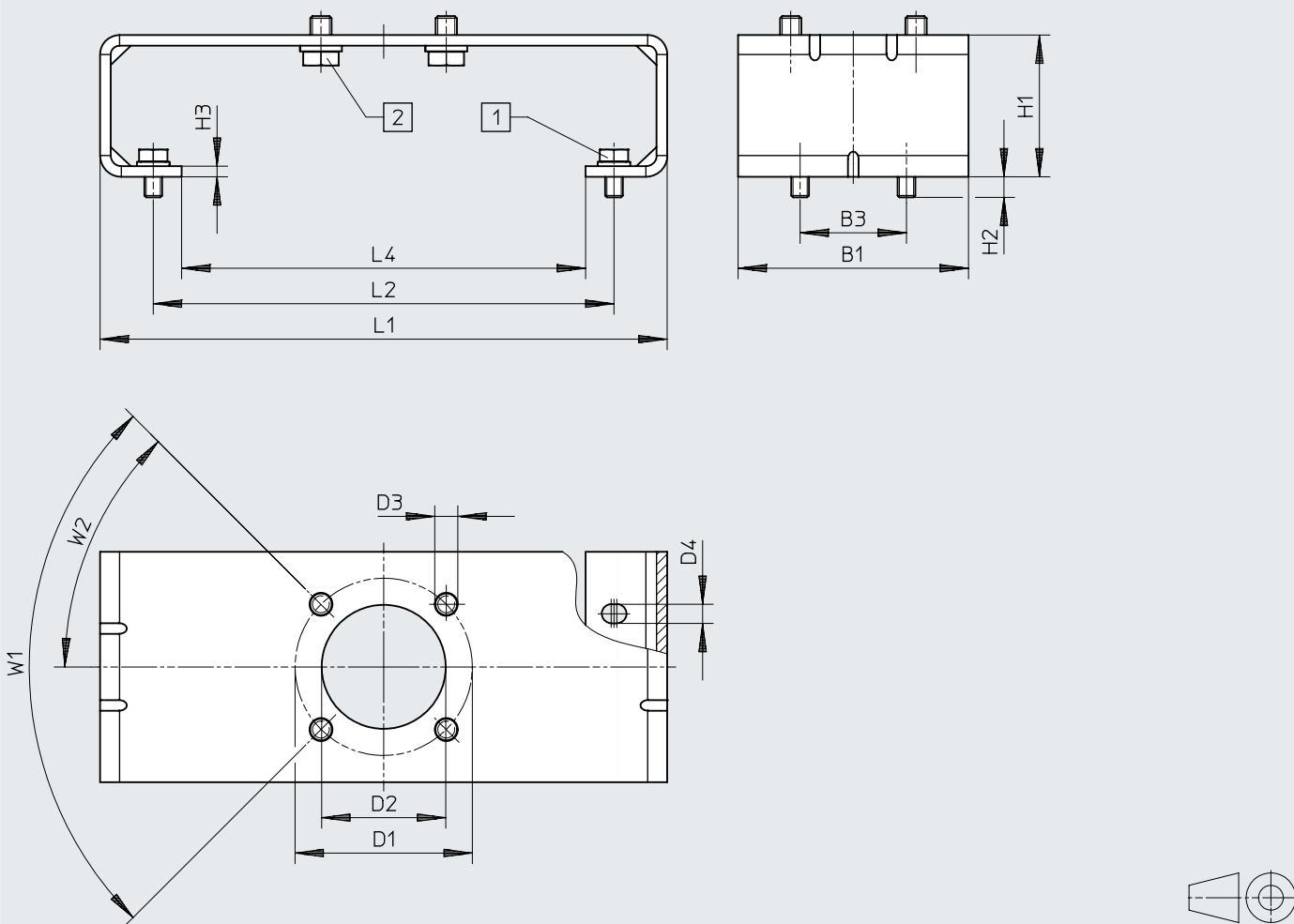
Mounting adapter DARQ-K-X1-A2-...

- Mounting adapter for mounting on standard actuators to VDI/VDE 3845
- Size 30x130, height 30
- Retaining screws included in the scope of delivery
- Material: High-alloy stainless steel
- LABS (PWIS) conformity: VDMA24364-Zone III, RoHS-compliant



Dimensions

Download CAD data → www.festo.com



- [1] Screw ISO 4017 M5x10
 [2] Screw GB9074.12 M6x10

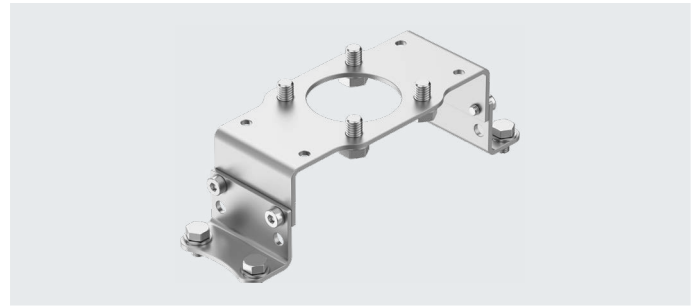
Dimensions and ordering data

B1	B3	D1 ∅	D2 ∅	D3 ∅	D4 ∅	H1 +0.5	H2	H3	L1	L2	L4	W1	W2	Weight [g]	Part no.	Type
65	30	50	35	6.5	5.4	40	5.8	3	160	130	114	90°	45°	397	3886114	DARQ-K-X1-A2-F05-30-R1

Accessories

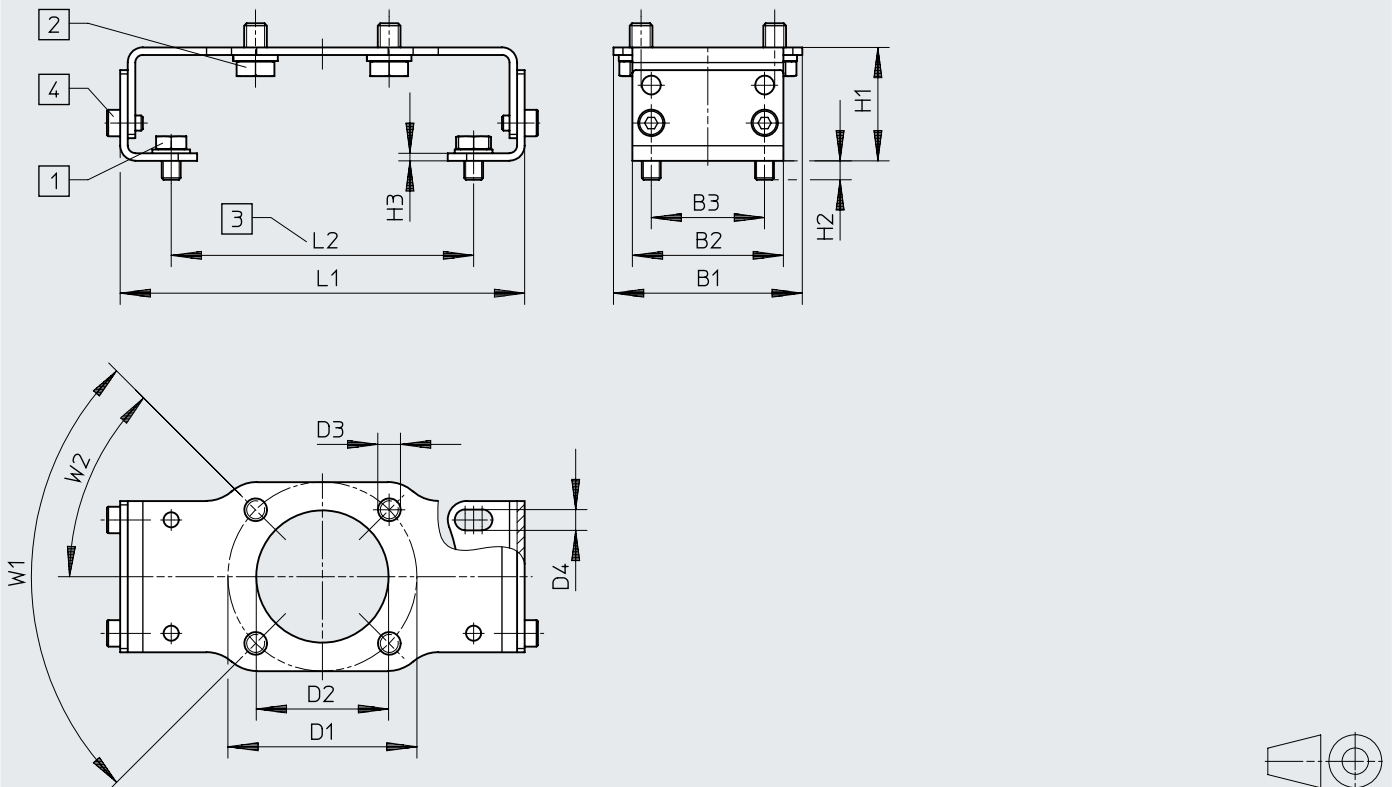
Mounting adapter DARQ-K-X1-A3-...

- Mounting adapter for mounting on standard actuators to VDI/VDE 3845
- Size 30x80 or 30x130, height 20
- Retaining screws included in the scope of delivery
- Material: High-alloy stainless steel
- LABS (PWIS) conformity: VDMA24364-Zone III, RoHS-compliant



Dimensions

Download CAD data → www.festo.com



- [1] Screw ISO 4017 M5x8
- [2] Screw GB9074.12 M6x10
- [3] Hole pattern to VDI/VDE 3845
- [4] Screw ISO 4762 M4x6

Dimensions and ordering data

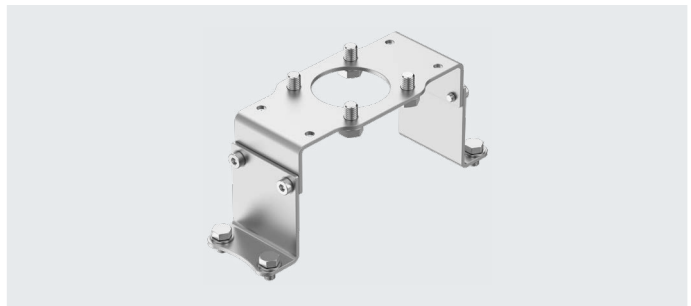
B1	B2	B3	D1	D2	D3	D4	H1	H2	H3	L1	L2	W1	W2	Weight	Part no.	Type
			∅	∅	∅	∅	+0.5							[g]		
50	40	30	50	35	6	5.5	30	5	2	107	80 ¹⁾	90°	45°	148	8137187	DARQ-K-X1-A3-F05-20-R1

1) 130 mm with externally mounted mounting brackets

Accessories

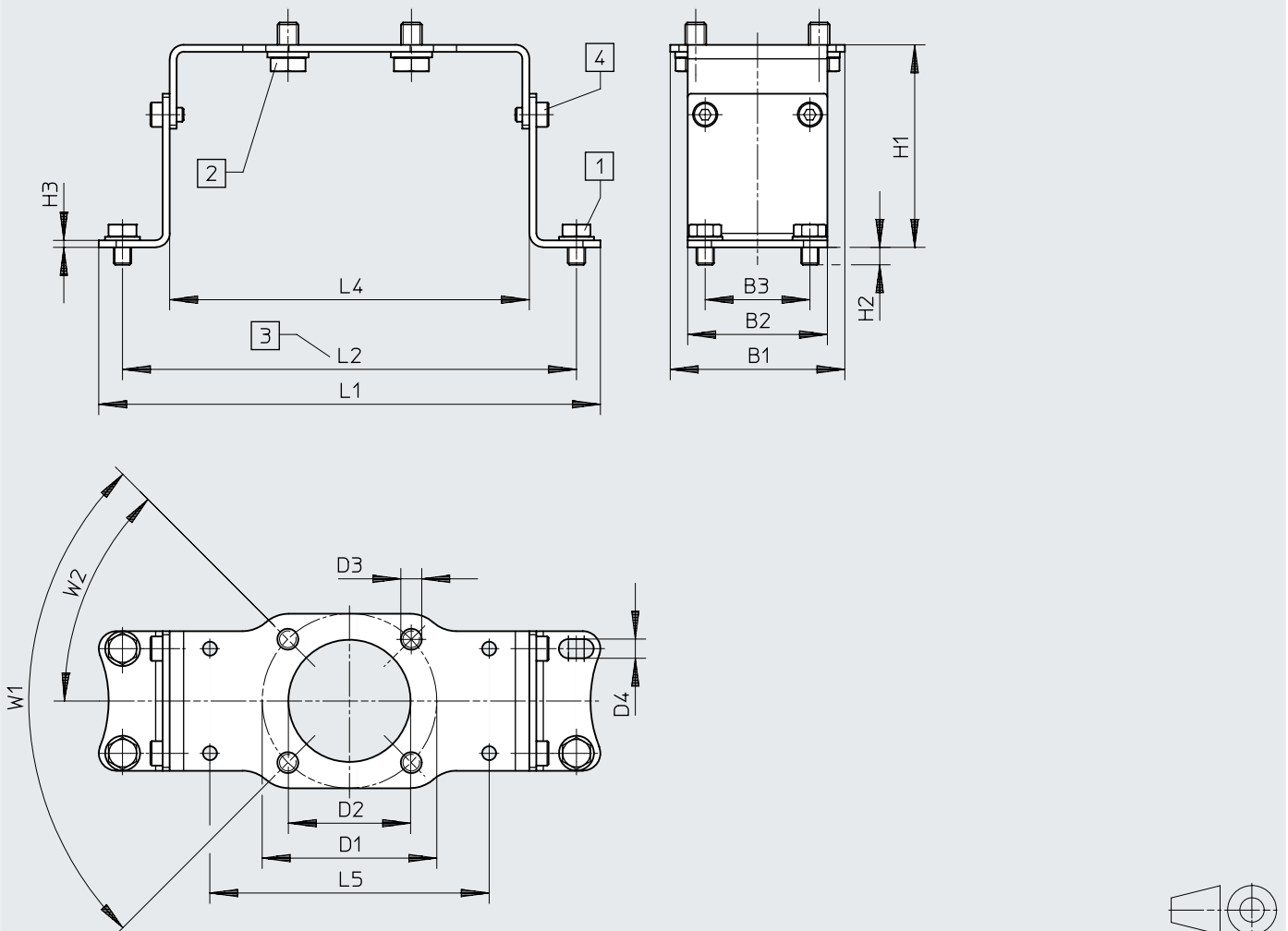
Mounting adapter DARQ-K-X1-A3-...

- Mounting adapter for mounting on standard actuators to VDI/VDE 3845
- Size 30x80 or 30x130, height 50
- Retaining screws included in the scope of delivery
- Material: High-alloy stainless steel
- LABS (PWIS) conformity: VDMA24364-Zone III, RoHS-compliant



Dimensions

Download CAD data → www.festo.com



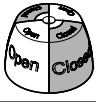

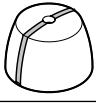
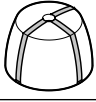

- [1] Screw ISO 4017 M5x8
 [2] Screw GB9074.12 M6x10
 [3] Hole pattern to VDI/VDE 3845
 [4] Screw ISO 4762 M4x6

Dimensions and ordering data

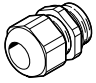
B1	B2	B3	D1	D2	D3	D4	H1	H2	H3	L1	L2	L4	L5	W1	W2	Weight	Part no.	Type
			∅	∅	∅	∅	+0.5									[g]		
50	40	30	50	35	6	5.5	58	5	2	143.7	130 ¹⁾	103	80	90°	45°	174	8137188	DARQ-K-X1-A3-F05-50-R1

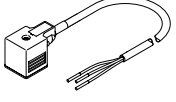
1) 80 mm with internally mounted mounting brackets

Accessories

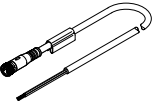
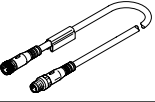
Ordering data	Description	Position indicator	Part no.	Type
	<ul style="list-style-type: none"> Position indicator SASF Cap material PA Ambient temperature -40 ... +80°C Note on materials: RoHS-compliant LABS (PWIS) conformity: VDMA24364-Zone III 	Yellow/red	8137192	SASF-S4-DE
		Arrow, 180°	8137191	SASF-S4-DE-A1
		I-version	8137190	SASF-S4-DE-A2
		T-version	8137195	SASF-S4-DE-A3
		L-version	8137189	SASF-S4-DE-A4

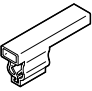
Ordering data	Description	Part no.	Type
	<ul style="list-style-type: none"> Protective cap SACC Cover cap material PC Ambient temperature -40 ... +80°C Note on materials: RoHS-compliant LABS (PWIS) conformity: VDMA24364-Zone III 	8137193	SACC-S4-T
		8137194	SACC-S4-T-T

Ordering data	Description	Material	Colour	Part no.	Type
Cable connector NETC					
	M20x1.5	Metal	Metal	568279	NETC-M-M20-KA
	M20x1.5	Polymer	Black	4464895	NETC-P-M20
	M20x1.5	Polymer	Blue	4197362	NETC-P-M20-EX4

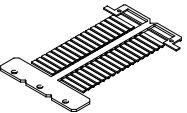
Ordering data	Electrical connection	Cable length [m]	Protective circuit	Part no.	Type
Connecting cables NEBV for valve connection for limit switch box with terminal rail connection					
	Angled socket, plug pattern type A, EN 175301-803	0.6	Yes	3679776	NEBV-A1W3F-P-K-0.6-N-LE3
			No	3579466	NEBV-A1W3-K-0.6-N-LE3
	Angled socket, plug pattern type B, to industry standard 11 mm	0.6	Yes	3679778	NEBV-B2W3F-P-K-0.6-N-LE3
			No	3579468	NEBV-B2W3-K-0.6-N-LE3

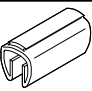
Accessories


Ordering data – Plug socket with cable								
	Cable characteristic	Cable length [m]	Outlet direction	Product weight [g]	Part no.	Type		
Socket, 8-pin, M12 – open cable end, 8-wire								
	Standard	2	Angled	125	542256	NEBU-M12W8-K-2-N-LE8		
			Straight	–	525616	SIM-M12-8GD-2-PU		
		5	Angled	292	542257	NEBU-M12W8-K-5-N-LE8		
			Straight	343	525618	SIM-M12-8GD-5-PU		
		10	Angled	570	570007	NEBU-M12W8-K-10-N-LE8		
			Straight	–	570008	SIM-M12-8GD-10-PU		
		15	Angled	848	8048086	NEBU-M12W8-K-15-N-LE8		
			Straight	–	5105631	SIM-M12-8GD-15-PU		
		20	Straight	–	5105632	SIM-M12-8GD-20-PU		
		25	Straight	–	5105633	SIM-M12-8GD-25-PU		
		Socket, 8-pin, plug M12, 8-pin, M12						
			–	2	Straight – straight	140	525617	KM12-8GD8GS-2-PU

Ordering data – Inscription label holders							
	Length	Width	Height	For cable diameter	Part no.	Type	PS ¹⁾
	23 mm	5.4 mm	10.1 mm	1.7 ... 3 mm	8078305	NEAU-LH-1	100
			10.3 mm	2.5 ... 3.5 mm	8078306	NEAU-LH-2	100
			11.6 mm	3.3 ... 4.8 mm	8078307	NEAU-LH-3	100
			12.1 mm	4.2 ... 5.6 mm	8143238	NEAU-LH-4	100

1) Pack size

Ordering data – Inscription label				Part no.	Type
	Inscription label for inscription label holder NEAU		1020 pieces	541598	ASLR-L-423

Ordering data – Inscription label					
	Description	Dimensions (HxW) [mm]	Scope of delivery	Part no.	Type
	• For attaching to a cable with diameter 5 ... 8 mm	11x20	1	33361	KM-BZ

 **Note**

Note operating voltage range and ambient temperature!